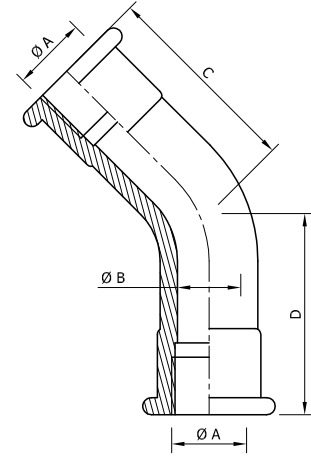
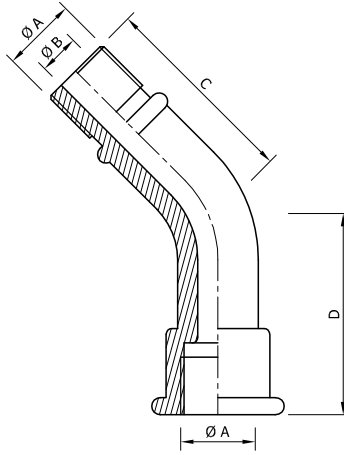
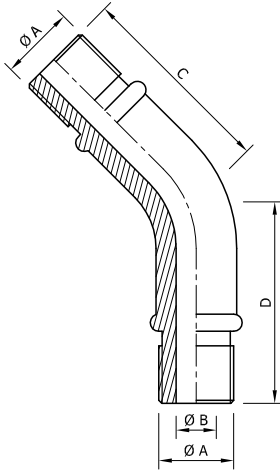




### ELM / 45°

### ELMF / 45°

### ELF / 45°



Gövde Tipi Type	Ağırlık (kg) Weight	ØA		Ölçüler Dimensions (mm)		
		NPT	METRIC	ØB	C	D
ELM.1/45°	0.24	1/2"	M20x1.5	10	60	60
ELM.2/45°	0.26	3/4"	M25x1.5	14	60	60
ELM.3/45°	0.40	1"	M32x1.5	20	80	80
ELM.4/45°	0.67	1 1/4"	M40x1.5	30	100	100
ELM.5/45°	0.69	1 1/2"	M50x1.5	32	110	110
ELM.6/45°	1.12	2"	M60x1.5	42	120	120
ELM.7/45°	2.195	2 1/2"	M75x1.5	50	150	150
ELM.8/45°	3.00	3"	M90x2	70	200	200

Gövde Tipi Type	Ağırlık (kg) Weight	ØA		ØA'		Ölçüler Dimensions (mm)		
		NPT	METRIC	NPT	METRIC	ØB	C	D
ELMF.1/45°	0.18	1/2"	M20x1.5	1/2"	M20x1.5	10	60	60
ELMF.2/45°	0.19	3/4"	M25x1.5	3/4"	M25x1.5	14	60	60
ELMF.3/45°	0.27	1"	M32x1.5	1"	M32x1.5	20	80	80
ELMF.4/45°	0.57	1 1/4"	M40x1.5	1 1/4"	M40x1.5	30	100	100
ELMF.5/45°	0.79	1 1/2"	M50x1.5	1 1/2"	M50x1.5	32	110	110
ELMF.6/45°	1.47	2"	M60x1.5	2"	M60x1.5	42	120	120
ELMF.7/45°	2.16	2 1/2"	M75x1.5	2 1/2"	M75x1.5	50	150	150
ELMF.8/45°	3.51	3"	M90x2	3"	M90x2	70	200	200

Gövde Tipi Type	Ağırlık (kg) Weight	ØA		Ölçüler Dimensions (mm)		
		NPT	METRIC	ØB	C	D
ELF.1/45°	0.14	1/2"	M20x1.5	16	60	60
ELF.2/45°	0.18	3/4"	M25x1.5	22	60	60
ELF.3/45°	0.21	1"	M32x1.5	26	80	80
ELF.4/45°	0.42	1 1/4"	M40x1.5	35	100	100
ELF.5/45°	0.45	1 1/2"	M50x1.5	42	110	110
ELF.6/45°	0.61	2"	M60x1.5	50	120	120
ELF.7/45°	0.89	2 1/2"	M75x1.5	64	150	150
ELF.8/45°	1.47	3"	M90x2	80	200	200

Malzeme/Material: Alüminyum ETIAL 140

www.protas.com.tr